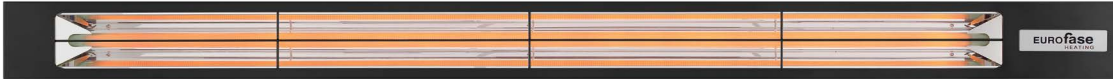


Project _____
 Type _____ Date _____
 Address _____
 Company _____

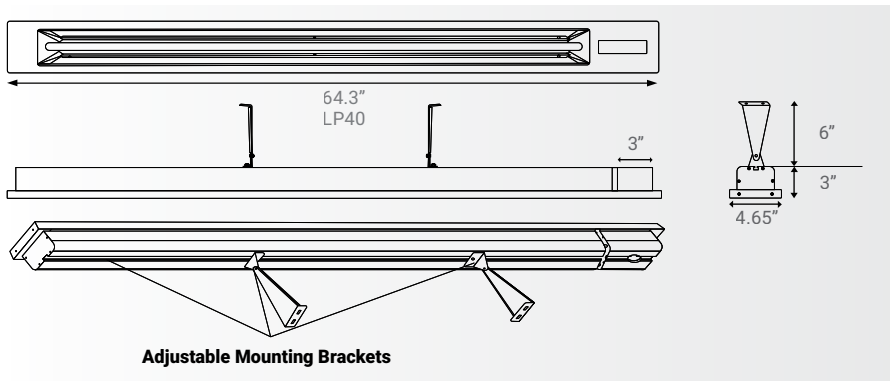
LP40 Series



Color Options ●

FEATURES

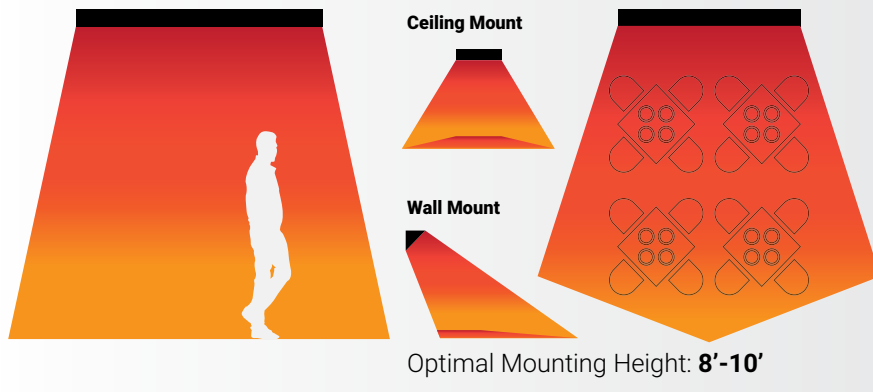
With a sleek, modern design, the Eurofase Heating 4000W Low Profile heater effortlessly blends into any space. Featuring quartz heating elements and 6-inch wall/ceiling brackets, it delivers warmth and comfort within a 10 ft x 10 ft radius (100 sq.ft).



SPECIFICATIONS

WATTAGE	4000 Watts
FAMILY/ SERIES	LP40
VOLTAGE RATING	208V, 240V, 277V, 480V
TOTAL AMPS	19.2A**, 16.7A, 14.4A, 8.33A**
FINISH	Black
CONSTRUCTION	Stainless Steel (304 SS)
HEATING AREA (Approximate)	10'x10' (100 sq.ft.)
COMPATIBLE ELEMENTS	EF40208E, EF40240E, EF40277E, EF40480E
MOUNTING OPTIONS	Wall/ Ceiling
MOUNTING ANGLE (Wall/Ceiling)	30°/45°
LENGTH	64.3"
HEIGHT	4.65"
DEPTH(With 6"Brackets)	9" (6"+3")
WEIGHT	17 LBS
INFRARED HEAT TECHNOLOGY	MEDIUM WAVE
IPX RATING	IPX4
WARRANTY	3 year

HEAT COVERAGE AREA: 10'x10' (100 sq.ft.)



Actual output wattage ranging 90% to 105% of the rated output wattage.
 ** Load calculation may change on a 3-phase system feed.

SPECIFICATION GUIDE

WATTAGE	CODE	VOLTAGE	CODE	FINISH	CODE
4000W	LP40	208V	208	BLACK	B
		240V	240		
		277V	277		
		480V	480		

ORDERING GUIDE EXAMPLE:
 4000W + 240V + BLACK FINISH = LP40 + 240 + B = LP40240B