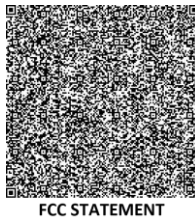
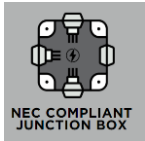
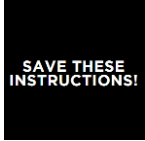


GALENA POCKET WALL LANTERN

OL14400

General Product Information



Tools Required




Safety Information

CAUTION-RISK OF FIRE

This product must be installed in accordance with the applicable installation code by a person familiar with the construction and operation of the product and the hazards involved.

USE MINIMUM 90°C SUPPLY CONDUCTORS.



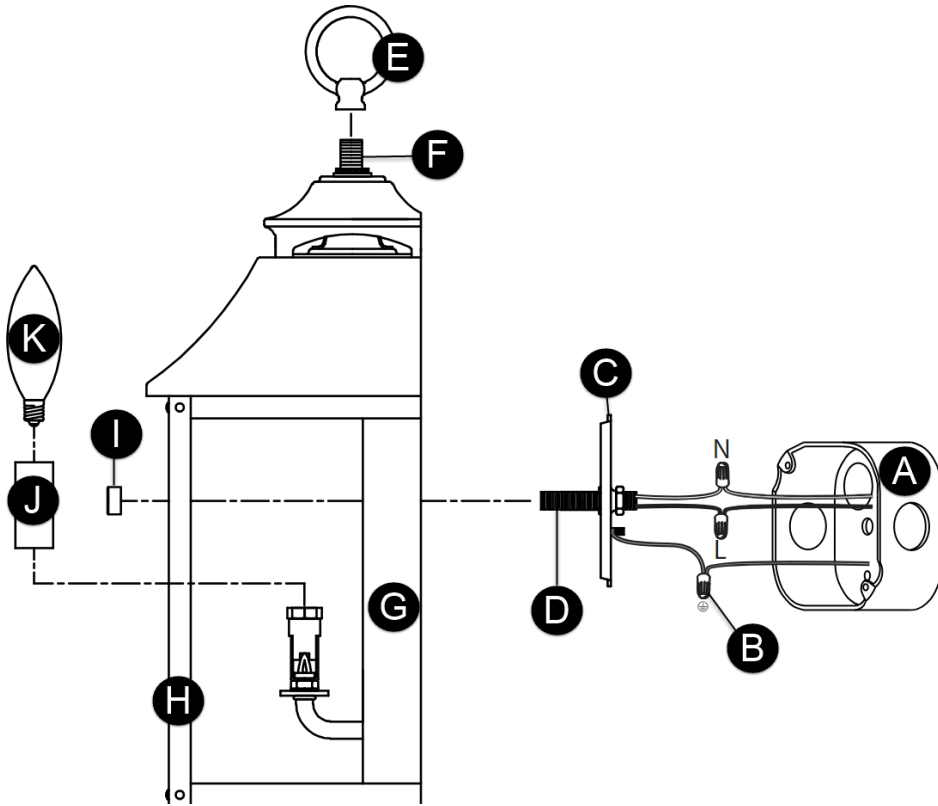
Turn off electrical current at the source before working with any lighting fixture or portable lamp.

Install and use this product in adherence with local electrical codes and regulations.



FIXTURE PARTS

- A. Junction Box
- B. Wire Nut Connections
- C. Mounting Plate
- D. Threaded Rod
- E. Fixture Loop
- F. Fixture Nipple
- G. Fixture Base
- H. Shade
- I. Cap Nut
- J. Sockets
- K. Bulbs (Not Included)



INSTRUCTIONS

I. Preparing the Fixture

1. Separate the mounting plate from the fixture base.
2. Use the mounting screws to secure the mounting plate with the threaded rod onto the junction box.
3. Screw the fixture loop on top of the fixture nipple.

II. Wiring the Fixture

1. Safety first! Locate the circuit breaker and switch it off to cut off the power supply to the relevant circuits to ensure there's no electricity running through the wiring.
2. In accordance with local electrical codes, connect the fixture ground wire (bare copper or silver wire) to suitable ground. This may be a green ground screw on the mounting plate, which the ground wire should be tightly wrapped around or a house wire (green or bare copper wire without insulation).
3. Twist the bare ends of the following pairs of wires together using a wire nut to secure a connection:
 - a) Hot fixture wire (black) and hot power line wire from the junction box (hot to hot)
 - b) Neutral fixture wire (white) and neutral power line wire from the junction box (neutral to neutral)
4. Carefully tuck all the wires behind the mounting plate into the junction box.

III. Installing the Fixture

1. Place the fixture base onto the threaded rod of the mounting plate and secure it with the cap nut.
2. Screw the bulbs into the sockets, referring to the label on the socket for max wattage information.
3. For wet locations, caulk around the base of the fixture with waterproof construction sealant.